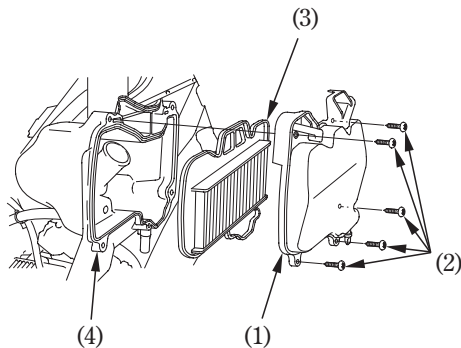


AIR CLEANER

Refer to the Safety Precautions on page 63 .

The air cleaner should be serviced at regular intervals (page 65). Service more frequently when riding in unusually wet or dusty areas.

1. Remove the front top cover (page 43) and right leg shield (page 44).
2. Remove the air cleaner case cover (1) by removing the screws (2).
3. Take out the air cleaner element (3) and clean the element using compressed air from the side of the air cleaner case (4), or replace if it necessary.
4. Install the air cleaner element.
5. Install the removed parts in the reverse order of removal.



- (1) Air cleaner case cover
- (2) Screws
- (3) Air cleaner element
- (4) Air cleaner case