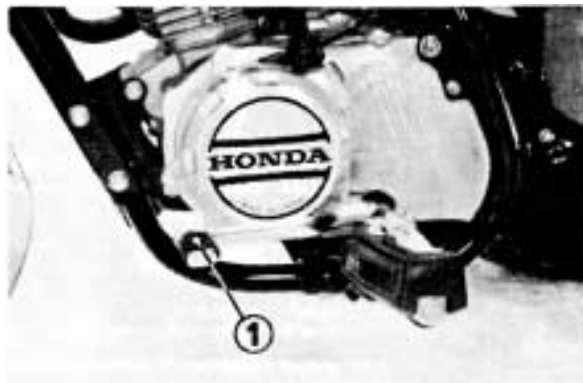


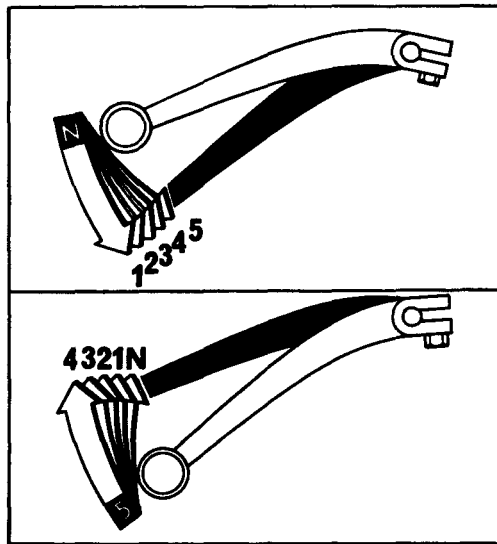
Gearshift Pedal

The gearshift pedal (1) is near the left foot peg. One full stroke of the pedal will shift the transmission. The pedal automatically returns to the horizontal position when released. Each stroke of the pedal engages the next gear in sequence.

Depress the pedal to shift to a higher gear and raise the pedal to shift to a lower gear.



(1) Gearshift pedal



Shifting sequence