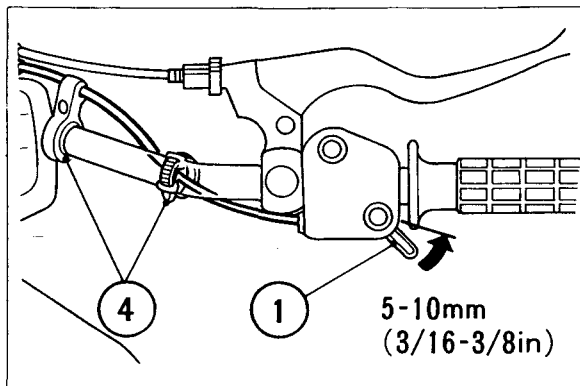


THROTTLE CABLE

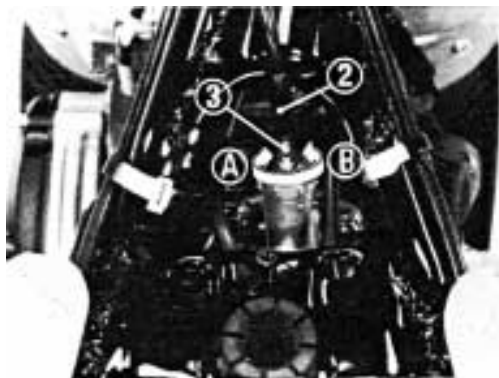
Inspect throttle cable condition and operation. Replace the cable if it has become worn or kinked. Lubricate the cable with a commercially available cable lubricant to prevent premature wear and corrosion. Free play, measured at the tip of the throttle lever (1), should be maintained at 5–10 mm (3/16–3/8 in).



(1) Throttle lever

(4) Bands

The cable adjuster (3) is located on top of the carburetor. Slide the rubber sleeve (2) back to expose the throttle cable adjuster (3). Turn the adjuster to obtain the correct free play. Reinstall the sleeve after adjustment.



(2) Rubber sleeve
(3) Cable adjuster

(A) Increase free play
(B) Decrease free play