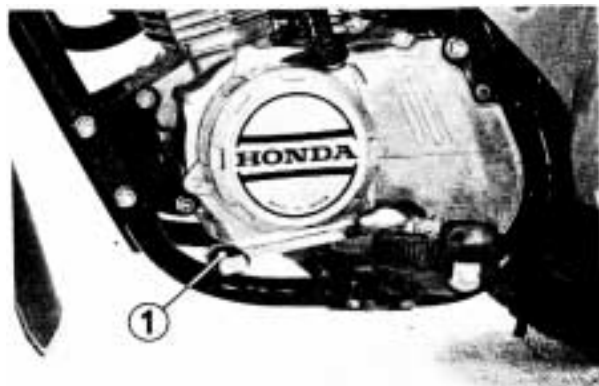


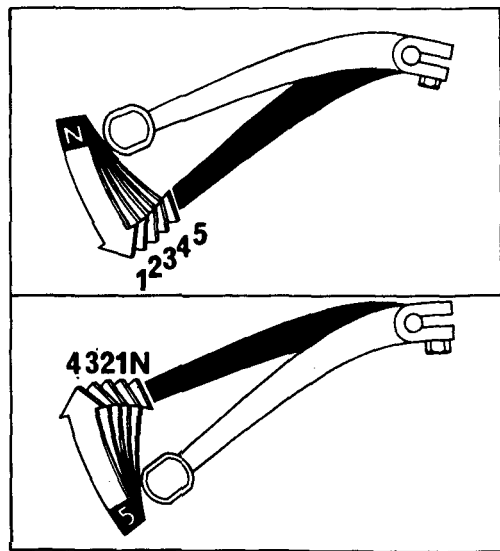
Gear Change Pedal

The gear change pedal (1) is near the left foot peg. One full stroke of the gear change pedal will shift the transmission. The pedal automatically returns to the horizontal position when released. Each stroke of the pedal engages the next gear in sequence.

Depress the pedal to shift to a higher gear and raise the pedal to downshift.



(1) Gear change pedal



Shifting sequence