

## Fuse Replacement

The main fuse (1), located near the battery box, is 20A. The other fuses (2) are in the connector box under the headlight.

The specified fuses are 15A.

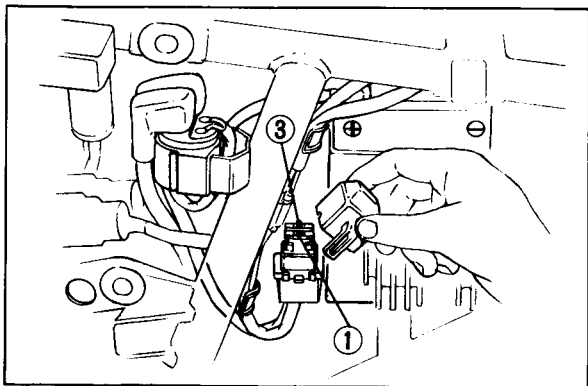
When frequent fuse failure occurs, it usually indicates a short circuit or an overload in the electrical system. See your authorized Honda dealer for repair.

### WARNING

- \* *Never use a fuse with a different rating from that specified. Serious damage to the electrical system or a fire may result, causing a dangerous loss of lights at night or engine power.*

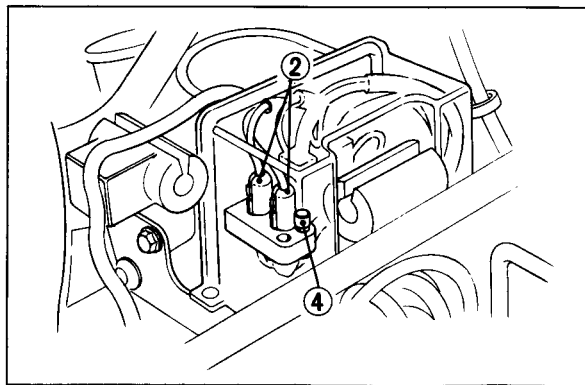
### CAUTION

- \* *Turn the ignition switch OFF before checking or replacing the fuse to prevent accidental short-circuiting.*



(1) Main fuse

(3) Spare fuse



(2) Other fuses

(4) Spare fuse