

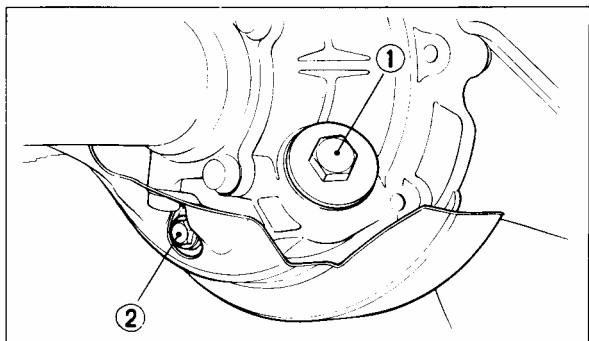
FINAL DRIVE OIL

Change the oil when specified by the maintenance schedule.

NOTE:

* Change the oil with the final drive warm and the ATC on level ground to assure complete and rapid draining.

1. To drain the oil, remove the oil filler cap (1) and drain plug (2).
2. After the oil has completely drained, install the drain plug.



(1) Oil filler cap

(2) Oil drain plug

Drain Plug Torque:

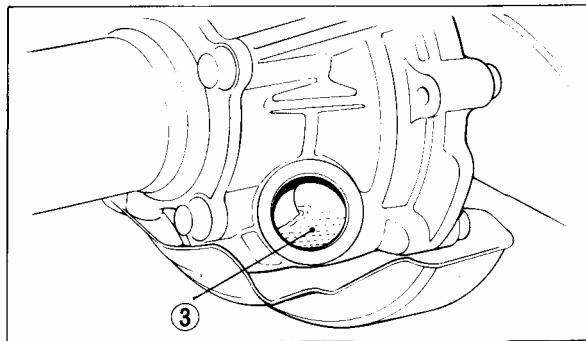
10–14 N·m (1.0–1.4 kg·m, 7–10 ft·lb)

WARNING

* *If a torque wrench was not used for installation, see your dealer as soon as possible to verify proper assembly.*

3. Fill the final drive with approximately 100 cc (3.3 US oz) of the recommended oil. Make sure the recommended oil is filled up to the lower edge of the inspection hole (3).
4. Install the oil filler cap.

Recommended oil: HYPOID GEAR OIL SAE80



(3) Inspection hole