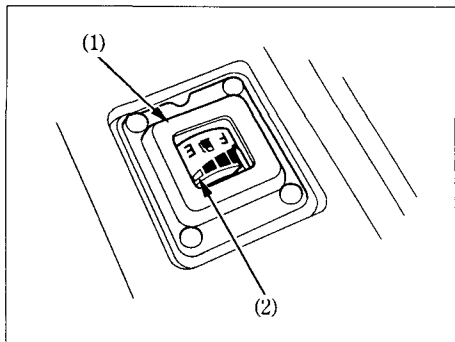


## Fuel Gauge

The fuel gauge (1) is located under the seat. When the gauge needle enters the red band (2), fuel will be low and you should *refill* the tank as soon as possible. The amount of fuel left in the tank when the needle enters the red band is approximately:

1,3 ℓ (0.34 US gal, 0.29 Imp gal)



- (1) Fuel gauge
- (2) Red band