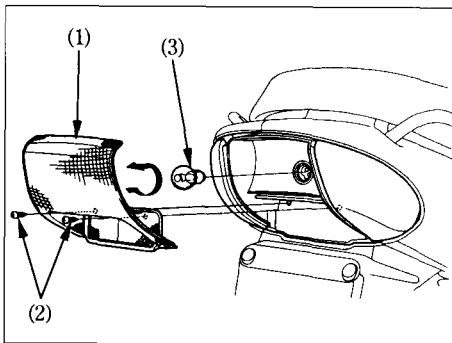


## Stop/Taillight Bulb

1. Remove the taillight lens (1) by removing the two screws (2).
2. Slightly press the bulb (3) and turn it counterclockwise.
3. Install a new bulb in the reverse order of removal.



- (1) Taillight lens
- (2) Screws
- (3) Bulb