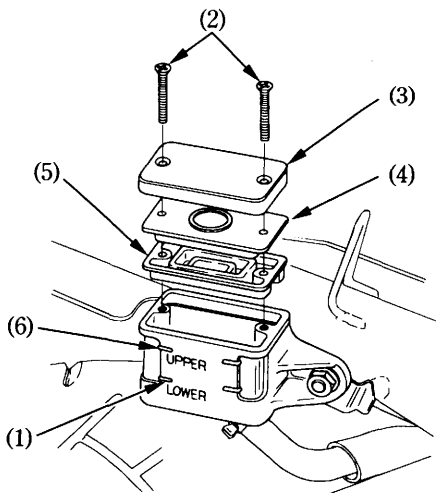


Brake fluid must be added to the reservoir whenever the fluid level begins to reach the LOWER level mark (1). Remove the seat (page 36) and rear cowl (page 38). Remove the screws (2), reservoir cover (3), diaphragm plate (4) and diaphragm (5). Fill the reservoir with DOT 4 BRAKE FLUID from a sealed container up to the UPPER level mark (6). Reinstall the diaphragm, diaphragm plate and cover. Tighten the screws securely.

#### Other Checks:

Make sure there are no fluid leaks. Check for deterioration or cracks in the hoses and fittings.



- |                      |                      |
|----------------------|----------------------|
| (1) LOWER level mark | (4) Diaphragm plate  |
| (2) Screw            | (5) Diaphragm        |
| (3) Reservoir cover  | (6) UPPER level mark |