

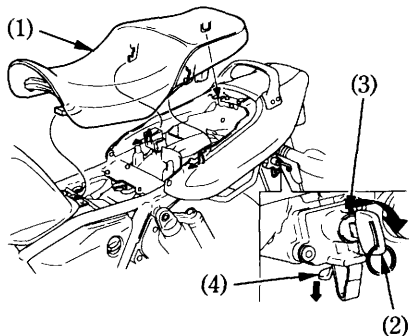
SEAT

To remove the seat (1), insert the ignition key (2) into the lock (3) and turn it clockwise.

Pull the seat lock lever (4) downward to unlock the seat.

CAUTION:

*** Be sure the seat is locked securely in position after installation.**



(1) Seat

(3) Lock

(2) Ignition key

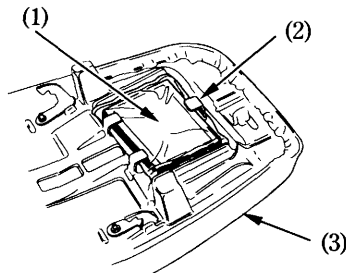
(4) Seat lock lever

DOCUMENT COMPARTMENT

The document bag (1) is in the document compartment (2) on the reverse side of the seat (3).

This owner's manual and other documents should be stored in this compartment.

When washing your motorcycle, be careful not to flood this area with water.



(1) Document bag

(2) Document compartment

(3) Seat