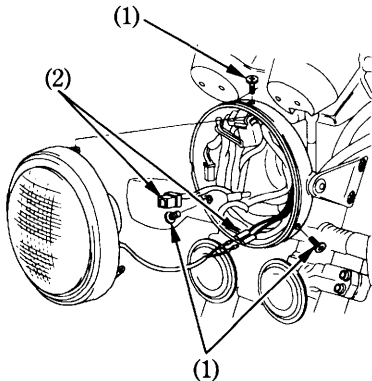


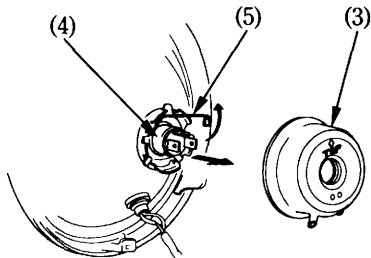
## Headlight/Position Light Bulb

1. Remove the screws (1) from the headlight case.
2. Gently pull the headlight forward and disconnect the connectors (2).



- (1) Screws  
(2) Connectors

3. Remove the seat rubber (3).
4. Remove the bulb (4) while pressing down on the pin (5).
5. Install a new bulb in the reverse order of removal.



- (3) Seat rubber                      (5) Pin  
(4) Bulb