

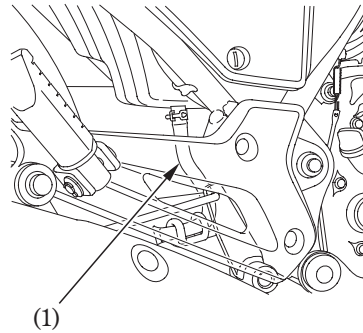


CRANKCASE BREATHER

Refer to the Safety Precautions on page 65 .

1. Remove the crankcase breather tube (1) from the air cleaner housing and drain deposits into a suitable container.
2. Reinstall the crankcase breather tube.

Service more frequently when riding in rain or at full throttle.



(1) Crankcase breather tube

