



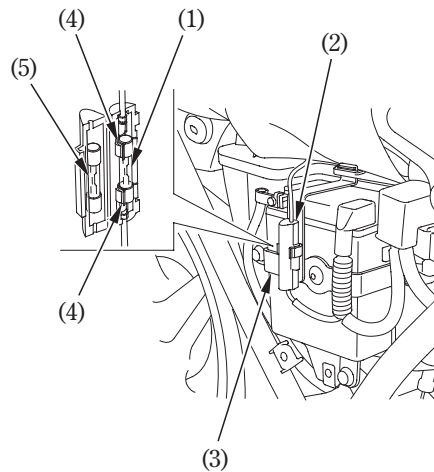
Main Fuse:

The main fuse (1) is located behind the right side cover.

The specified fuse is:

20A

1. Remove the right side cover (page 49).
2. Remove the fuse holder (2) from the battery holder (3).
3. Open the fuse holder and lift out the main fuse with the clips (4).
4. Slide the main fuse out of the clips and discard it.
5. Slide the clips onto the ends of the spare main fuse (5), push them back into the fuse holder, and close the fuse holder.
The spare fuse is attached to the fuse holder.
6. Close the fuse holder and install it to the battery holder.
7. Install the right side cover.



- (1) Main fuse
- (2) Fuse holder
- (3) Battery holder
- (4) Clips
- (5) Spare main fuse

Do not pry the clips open to get a fuse out; you could bend them and cause poor contact with the new fuse. A loose fuse could cause damage to the electrical system and even start a fire.

