

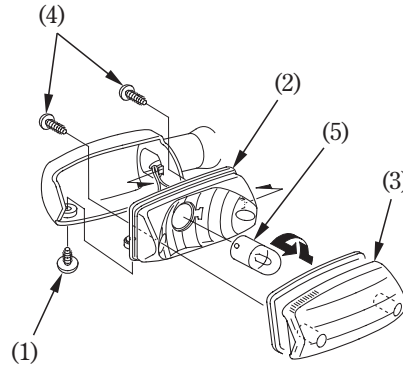


Front/Rear Turn Signal Bulb

1. Remove the screw A (1).
2. Remove the reflector (2) and turn signal lens (3) by removing the screws B (4).
3. Slightly press the bulb (5) and turn it counterclockwise.
4. Install a new bulb in the reverse order of removal.

(TU, IITU)

- Use only the amber bulb.



- (1) Screw A
(2) Reflector
(3) Turn signal lens

- (4) Screws B
(5) Bulb

