

LEFT HANDLEBAR CONTROLS

The three controls next to the left handlebar grip are:

Headlight Dimmer Switch (1)

Select HI for beam, LO for low beam.

Turn Signal Switch (2)

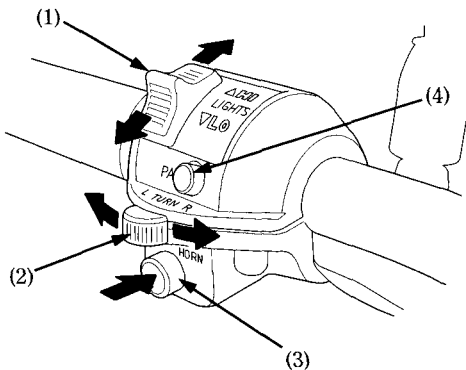
Move to L to signal a left turn, R to signal a right turn. Return to the center (off) when finished.

Horn Button (3)

Press the button to sound the horn.

Passing Light Control Switch (4)

When this switch is pressed, the headlight flashes on to signal approaching cars or when passing.



- (1) Headlight dimmer switch
- (2) Turn signal switch
- (3) Horn button
- (4) Passing light control switch