

## Headlight Dimmer Switch

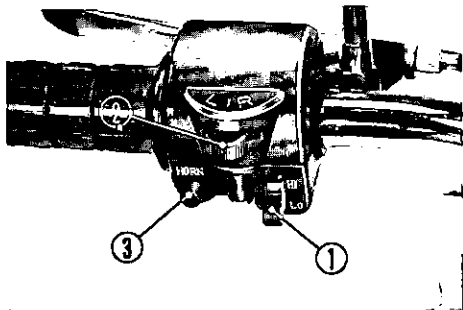
The headlight dimmer switch ① is located on the left handlebar grip switch housing. When the headlight dimmer switch is moved to the "HI" position with the headlight switch on, the high beam is on. When the switch is moved to the "LO" position, the low beam is on.

## Turn Signal Switch

The turn signal switch ② is located on the left handlebar grip switch housing. It can be operated without taking the hand off the handle grip. To signal a left turn move the switch to the "L" position. To signal a right turn move the switch to the "R" position. When the turn has been completed the switch must be returned to the center "OFF" position.

## Horn Button

The horn button ③ is located on the left handlebar grip switch housing. When the horn button is pressed the horn will operate.



- ① Headlight dimmer switch
- ② Turn signal switch
- ③ Horn button