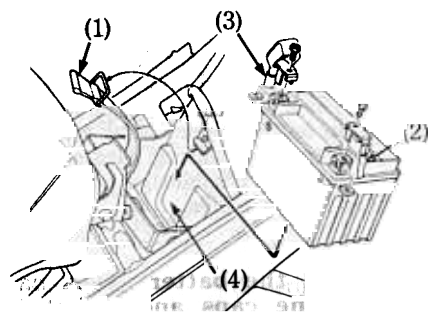


▲ WARNING

*** KEEP OUT OF REACH OF CHILDREN.**

Battery Removal:

1. Remove the seat (page 37).
2. Remove the band (1).
3. Disconnect the negative (-) terminal lead (2) from the battery first, then disconnect the positive (+) terminal lead (3).
4. Pull out the battery from the battery box (4).



- (1) Band
- (2) Negative (-) terminal lead
- (3) Positive (+) terminal lead
- (4) Battery box

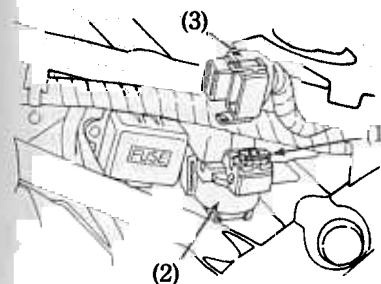
FUSE REPLACEMENT

(Refer to the maintenance precautions on page 56).

The main fuse (1), located on the starter magnetic switch (2) behind the right side cover, is 30 A.

The spare main fuse is located on the fuse box.

The fuse box (4) is located behind the right side cover.



- (1) Main fuse
- (2) Starter magnetic switch
- (3) Wire coupler

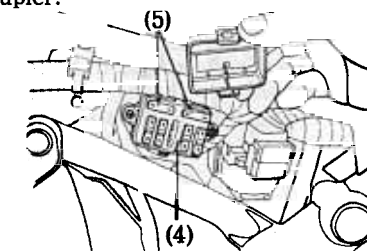
When frequent fuse failure occurs, it usually indicates a short circuit or an overload in the electrical system. See your authorized Honda dealer for repair.

CAUTION:

*** Turn the ignition switch OFF before checking or replacing the fuses to prevent accidental short-circuiting.**

To replace the main fuse (1), remove the seat and right side cover (page 38), disconnect the wire coupler (3) and remove the old fuse.

Install a new fuse and reconnect the wire coupler.



- (4) Fuse box
- (5) Spare fuses