

BULB REPLACEMENT

(Refer to the maintenance precautions on page 54).

▲ WARNING

* The light bulb becomes very hot while the light is ON, and remain hot for a while after it is turned OFF. Be sure to let it cool down before servicing.

CAUTION:

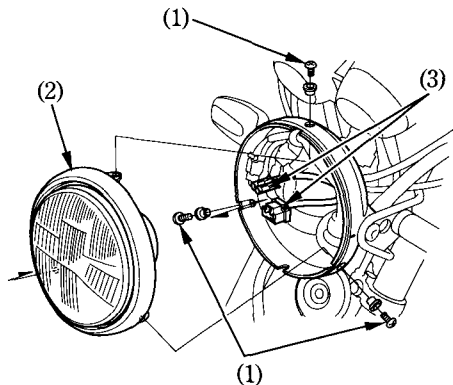
- * Wear clean gloves while replacing the bulb.
- * Do not put finger prints on the headlight bulb, as they may create hot spots on the bulb and cause it to break.
- * If you touch the bulb with your bare hands, clean it with a cloth moistened with alcohol to prevent its early failure.

NOTE:

- * Be sure to turn the ignition switch OFF when replacing the bulb.
- * Do not use bulbs other than that specified.
- * After installing a new bulb, check that the light operates properly.

Headlight/Position Light Bulb

1. Remove the screws (1) from the headlight case.
2. Gently pull the headlight (2) forward and disconnect the connectors (3).



- (1) Screws
- (2) Headlight
- (3) Connectors