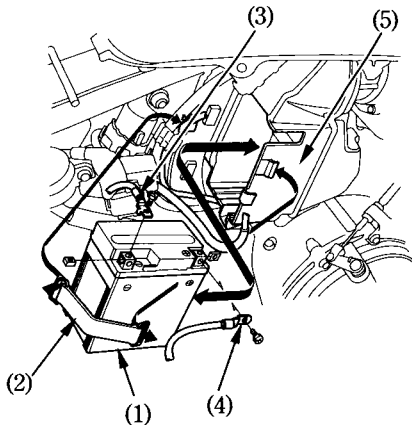


### Battery Removal:

The battery (1) is in the battery box the right side cover.

1. Remove the right side cover (page43 ).
2. Unhook the strap (2 ).
3. Disconnect the negative (-) terminal lead (3 ) from the battery first, then disconnect the positive (+) terminal lead (4 ).
4. Pull out the battery from the battery box (5).



- (1) Battery
- (2) Strap
- (3) Negative (-) terminal lead
- (4) Positive (+) terminal lead
- (5) Battery box