

Main fuse:

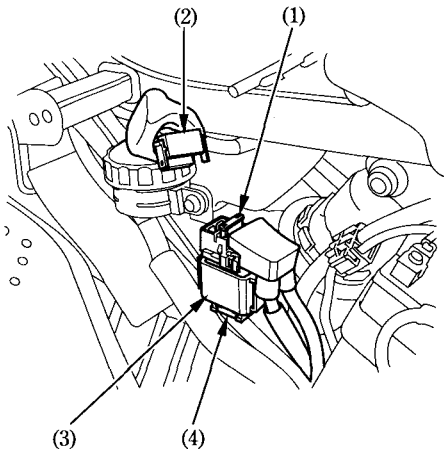
The main fuse (1) is located behind the right side cover. The specified fuse is:

30A

1. Remove the right side cover (page 43).
2. Disconnect the wire connector (2) of the stater magnetic switch (3).
3. Pull out the fuse. If the fuse is blown install a new fuse.

The spare main fuse (4) is located under the starter magnetic switch (3).

4. Reconnect the wire connector and install the right side cover.



- (1) Main fuse
- (2) Wire connector
- (3) Starter magnetic switch