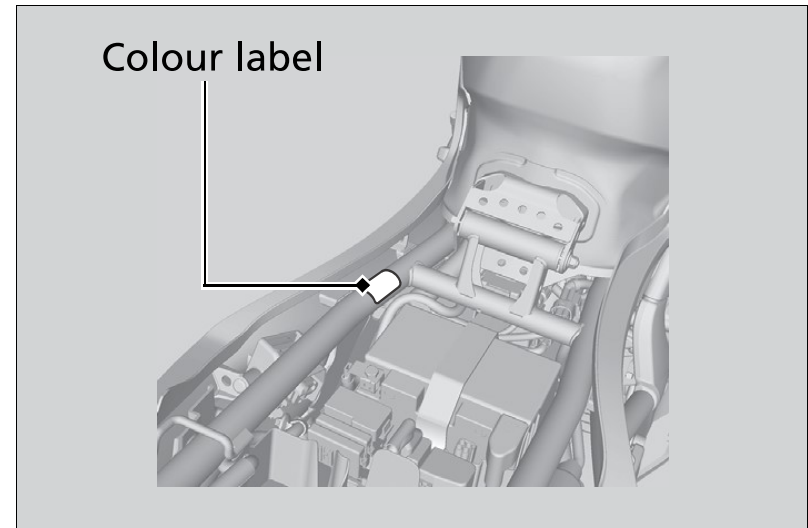


Replacing Parts

Always use Honda Genuine Parts or their equivalents to ensure reliability and safety.

When ordering coloured components, specify the model name, colour, and code mentioned on the colour label. The colour label is attached to the frame under the seat. ➔ P. 58



⚠ WARNING

Installing non-Honda parts may make your motorcycle unsafe and cause a crash in which you can be seriously hurt or killed.

Always use Honda Genuine Parts or equivalents that have been designed and approved for your motorcycle.