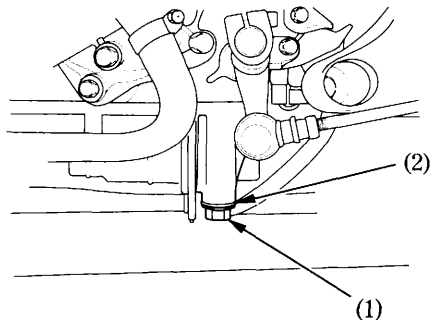
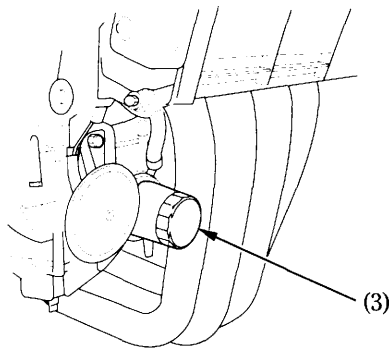


1. To drain the oil, remove the oil filler cap and crankcase drain plug (1) and sealing washer (2).



2. Remove the oil filter (3) with a filter wrench and let the remaining oil drain out.



(1) Crankcase drain plug    (2) Sealing washer

(3) Oil filter