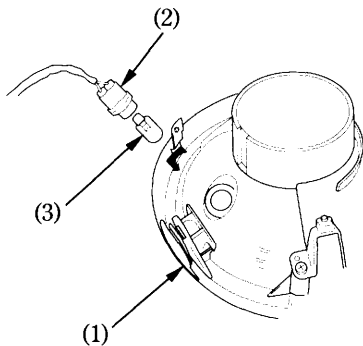


## Position Light Bulb (Except U)

1. Remove the headlight (1) (page 112).
2. Pull out the socket (2).
3. Slightly press the bulb (3) and turn it counterclockwise.
4. Install a new bulb in the reverse order of removal.



- (1) Headlight
- (2) Socket
- (3) Position light bulb