

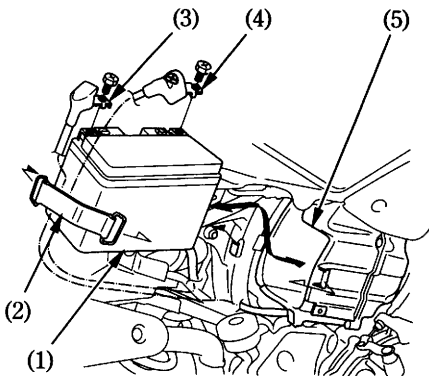
### Removal:

The battery (1) is in the battery box behind the right side cover.

1. Make sure the ignition switch is OFF.
2. Remove the right side cover (page 58 ).
3. Unhook the strap (2).
4. Disconnect the negative (-) terminal lead (3) from the battery first, then disconnect the positive (+) terminal lead (4).
5. Pull out the battery (1) from the battery box (5).

### Installation:

1. Reinstall in the reverse order of removal.  
Be sure to connect the positive (+) terminal first, then the negative (-) terminal.
2. Check all bolts and other fasteners are secure.



- (1) Battery
- (2) Strap
- (3) Negative (-) terminal lead
- (4) Positive (+) terminal lead
- (5) Battery box