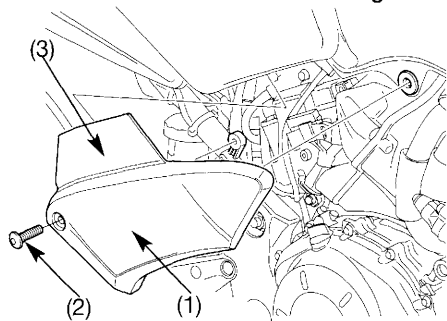


SIDE COVERS

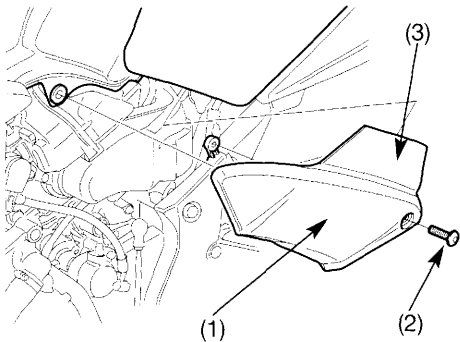
Side covers (1) must be removed in order to service the battery, the air cleaner element, and the rear shock absorber. To remove the left and right side covers:

1. Remove the mounting bolt (2).
2. Rotate the side cover downwards until the lip (3) under the seat is free.
3. Pull the side cover outwards.

Right side



Left side



- (1) Side covers
(2) Bolt
(3) Lip