

IDLE SPEED

Refer to the Safety Precautions on page 59 .

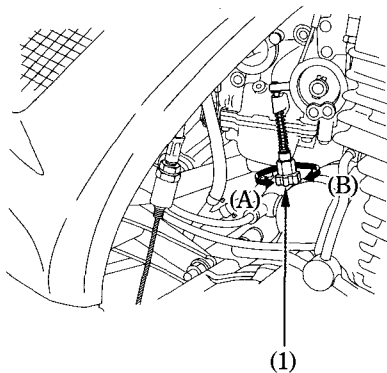
The engine must be at normal operating temperature for accurate idle speed adjustment. 10 minutes of stop-and-go riding is sufficient.

Do not attempt to compensate for faults in other systems by adjusting idle speed. See your Honda dealer for regularly scheduled carburetor adjustments.

1. Warm up the engine, and shift to neutral, and place the motorcycle on its side stand.
2. Adjust idle speed with the throttle stop screw (1).

Idle speed (In neutral):

$1,400 \pm 100 \text{ min}^{-1} (\text{rpm})$



(1) Throttle stop screw

(A) Increase

(B) Decrease