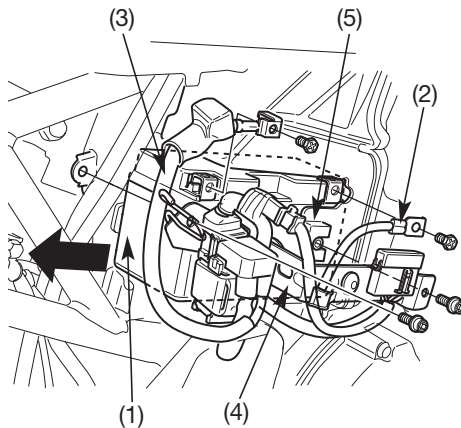


Battery Removal:

The battery (1) is in the battery box behind the right side cover.

1. Remove the right side cover (page 47).
2. First disconnect the negative (-) terminal lead (2) from the battery, then disconnect the positive (+) terminal lead (3).
3. Loosen the two screws securing the metal battery holder bracket and remove it (4).
4. Pull out the battery from the battery box (5).



- (1) Battery
- (2) Negative (-) terminal lead
- (3) Positive (+) terminal lead
- (4) Metal battery holder bracket
- (5) Battery box