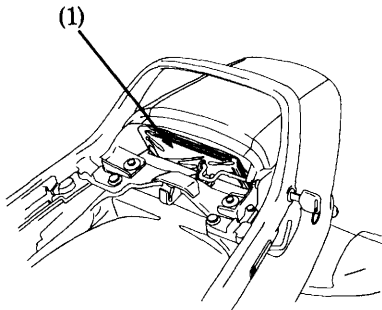


DOCUMENT COMPARTMENT

The document compartment (1) is underneath the rear cowl.

This owner's manual and other documents should be stored in the compartment.

When washing your motorcycle, be careful not to flood this area with water.



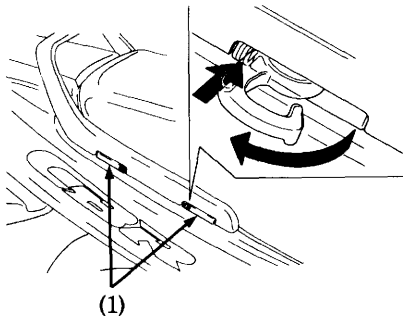
(1) Document compartment

CORD HOOK

This motorcycle is equipped with the retractable luggage cord hooks (1).

CAUTION:

*** Never use this cord hook to tow or lift the motorcycle.**



(1) Cord hooks