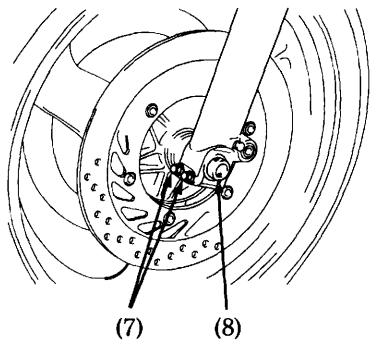
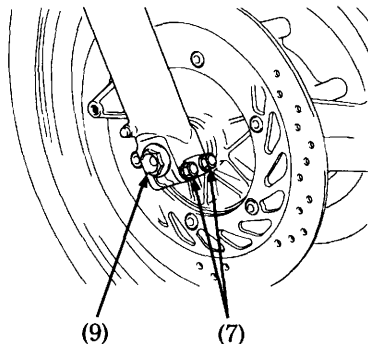


- Loosen the right and left axle pinch bolts (7), and remove the axle bolt (9).
- Withdraw the front axle (8) and remove the front wheel.



(7) Axle pinch bolt

(8) Front axle



(9) Axle bolt