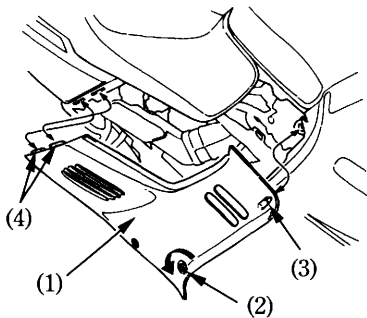


## SIDE COVER

The side cover (1) must be removed for main fuse, air cleaner and rear brake fluid maintenance. To remove the side cover, turn the clip (2) 90° counterclockwise so that the groove in the clip is level, pull out the prong (3) and then gently pull the side cover forward to release the tabs (4). Remove the side cover.



(1) Side cover

(3) Prong

(2) Clip

(4) Tabs