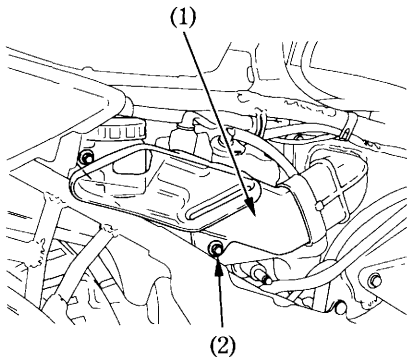


AIR CLEANER

(Refer to the maintenance precautions on page 61).

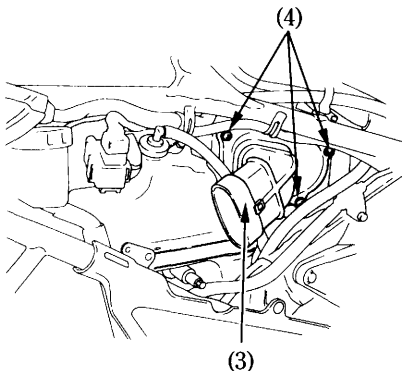
The air cleaner should be serviced at regular intervals (page 55). Service more frequently when riding in unusually wet or dusty areas.

1. Remove the seat (page38).
2. Remove the right side cover (page40).
3. Remove the duct (1) by removing bolt (2).
4. Remove the air cleaner housing cover (3) by removing screws (4) .



(1) Duct

(2) Bolt



(3) Air cleaner housing cover

(4) Screws