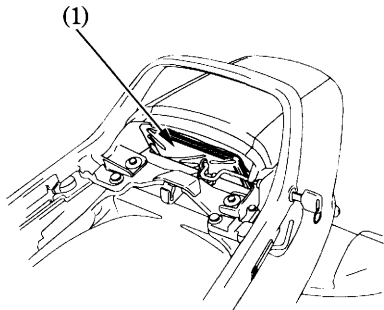


DOCUMENT COMPARTMENT

The document compartment (1) is underneath the rear cowl.

This owner's manual and other documents should be stored in this compartment.

When washing your motorcycle, be careful not to flood this area with water.



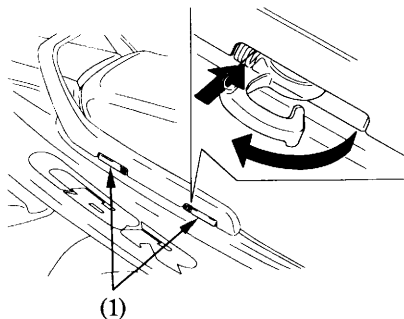
(1) Document compartment

LUGGAGE TIE-DOWN HOOKS

This motorcycle is equipped with retractable luggage tie-down hooks (1).

CAUTION:

*** Never use the tie-down hooks to tow or lift the motorcycle.**



(1) Luggage tie-down hooks