

## LEFT HANDLEBAR CONTROLS

### Headlight Dimmer Switch (1)

Push the dimmer switch to  $\equiv D$  (HI) to select high beam or to  $\equiv D$  (LO) to select low beam.

### Passing Light Control Switch (2)

< Except AUSTRALIA >

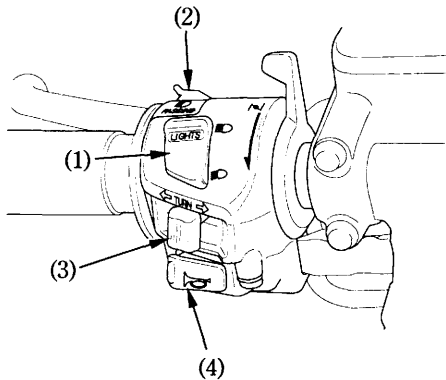
When this switch is pressed, the headlight flashes on to signal approaching cars or when passing.

### Turn Signal Switch (3)

Move to  $\leftarrow$  (L) to signal a left turn,  $\rightarrow$  (R) to signal a right turn. Press to turn signal off.

### Horn Button (4)

Press the button to sound the horn.



- (1) Headlight dimmer switch
- (2) Passing light control switch
- (3) Turn signal switch
- (4) Horn button