

MIDDLE COWL

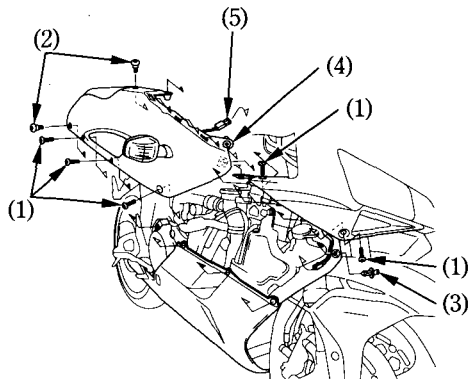
The right and left middle cowls can be removed in the same manner.

Removal:

1. Remove the bolts A (1), bolts B (2) and clip (3).
2. Remove the middle cowl (4) and disconnect the front turn signal connector (5).

Installation:

- Installation can be done in the reverse order of removal.



- (1) Bolts A
- (2) Bolts B
- (3) Clip
- (4) Middle cowl
- (5) Front turn signal connector