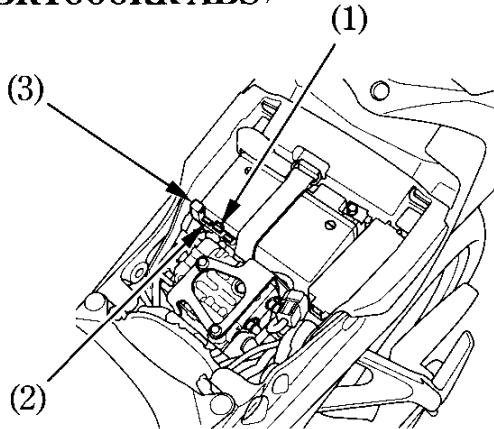


< **CBR1000RR ABS** >

1. Remove the front seat (page 81 ).
2. Open the main and FI fuse box cover (3).
3. Pull out the old fuse and install a new fuse.  
The spare fuses are located in the fuse box (page 142 ).
4. Close the main and FI fuse box cover and install the front seat.

< **CBR1000RR ABS** >



- (1) Main fuse
- (2) FI fuse
- (3) Main and FI fuse box cover

ABS motor fuses:

< **CBR1000RR ABS** >

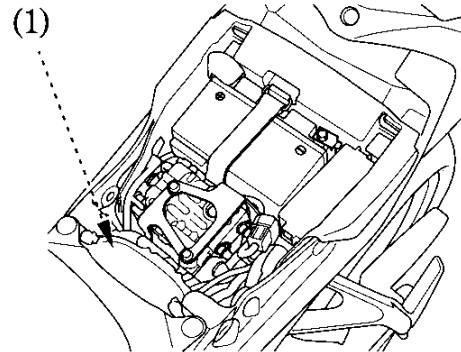
The ABS motor fuses (1) are located on the starter magnetic switch.

The specified fuses are:

**30A**

To replace these fuses, the fuel tank must be removed.

The ABS motor fuses should be inspected by a Honda dealer, unless the owner has proper tools and service data and is mechanically qualified. Refer to an official Honda Shop Manual.



- (1) ABS motor fuses