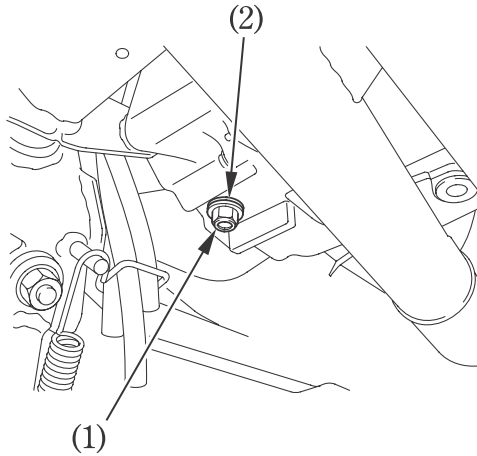
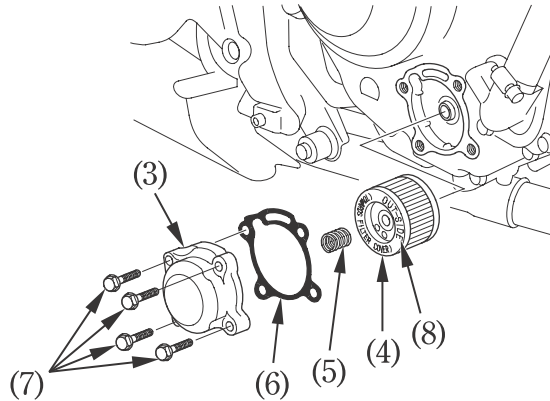


1. Place a drain pan under the crankcase.
2. To drain the oil, remove the oil fill cap, oil drain bolt (1) and sealing washer (2).
3. Remove the right under cowl (page 52).
4. Remove the oil filter cover (3), oil filter (4), spring (5) and gasket (6) by removing the oil filter cover bolt (7).



- (1) Oil drain bolt
 (2) Sealing washer

5. Install the new oil filter with the “OUT-SIDE” mark (8) facing out.
 Use only the Honda Genuine oil filter or a filter of equivalent quality specified for your model. Using the wrong Honda filter or a non-Honda filter which is not of equivalent quality may cause engine damage.



- (3) Oil filter cover (6) Gasket
 (4) Oil filter (7) Oil filter cover bolt
 (5) Spring (8) “OUT-SIDE” mark