

IDLE SPEED

(Refer to the maintenance precautions on page 64).

The idle speed adjustment procedure given here should only be used when changes in altitude affect normal idle speed as set by your dealer. See your authorized Honda dealer for regularly scheduled carburetor adjustments, including individual carburetor adjustment and synchronization.

NOTE:

- * The engine must be at normal operating temperature for accurate idle speed adjustment. Ten minutes of stop-and-go riding is sufficient.
1. Warm up the engine, shift to neutral and place the motorcycle on its stand.
 2. The throttle stop screw (1) is behind the seal rubber in the left side cover . Push in the rubber .

3. Adjust idle speed with the throttle stop screw (1).

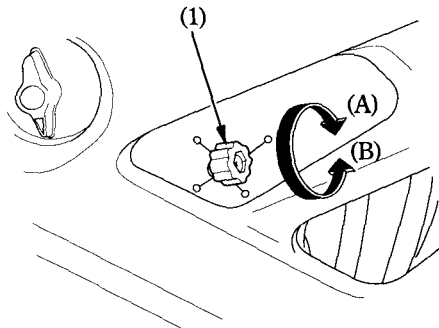
Idle speed (In neutral):

$1,200 \pm 100 \text{ min}^{-1} (\text{rpm})$

...Except AR, SW

$1,400 \pm 50 \text{ min}^{-1} (\text{rpm})$

...AR, SW



(1) Throttle stop screw

(A) Increase

(B) Decrease