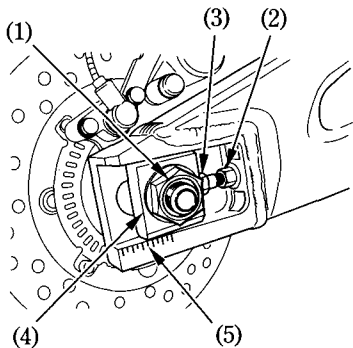


### Adjustment:

Drive chain slack should be checked and adjusted, if necessary, every 1,000 km (600 miles). When operated at sustained high speeds or under conditions of frequent rapid acceleration, the chain may require more frequent adjustment.

### (CBR600RR ABS only)

When adjusting the drive chain slack, be careful not to damage the wheel speed sensor and pulser ring.



- (1) Rear axle nut
- (2) Lock nuts
- (3) Adjusting bolts
- (4) Chain adjusters
- (5) Scale graduations

