
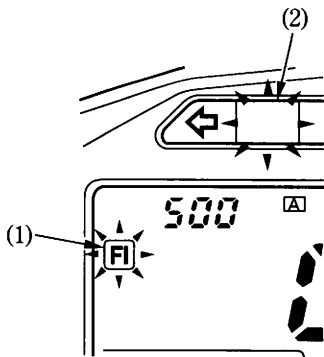


PGM-FI Indicator and Malfunction Indicator

The PGM-FI indicator (1) and the red malfunction indicator (2) lights when there is any abnormality in the PGM-FI (Programmed Fuel Injection) system.

The PGM-FI indicator should also go on for a few seconds and then go off when the ignition switch is turned ON and engine stop switch is at  (RUN).

If the PGM-FI indicator and red malfunction indicator lights at any other time, reduce speed and take the motorcycle to your Honda dealer as soon as possible.



- (1) PGM-FI indicator
- (2) Malfunction indicator