

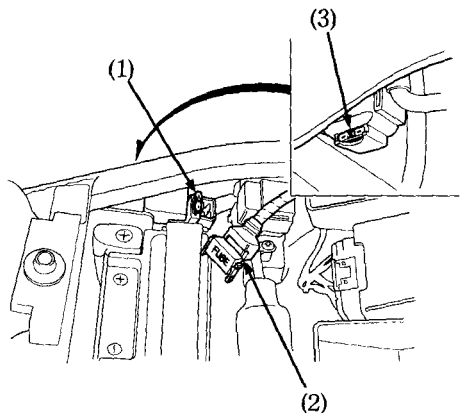
Main fuse:

The main fuse (1) is located behind the right side cover.

The specified fuse is:

30A

1. Remove the front seat (page 40).
2. Disconnect the wire connector (2) of the starter magnetic switch.
Pull out the old fuse and install a new fuse.
3. The spare fuse (3) is located under the starter magnetic switch .
4. Reconnect the connector and install the front seat.



(1) Main fuse

(2) Wire connector

(3) Spare fuse