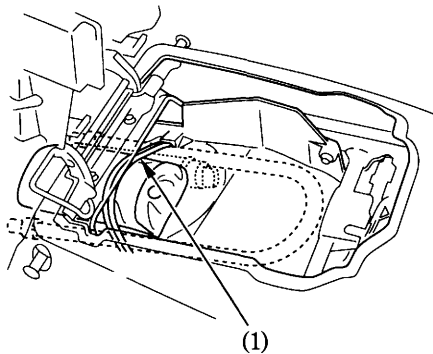


STORAGE COMPARTMENT FOR U-SHAPED ANTI-THEFT LOCK

The rear fender has a storage compartment to store a U-shaped anti-theft lock under the rear seat. After storing, be sure to fasten the lock with the rubber band (1) securely.

NOTE:

- Some U-shaped locks may not be stored in the compartment due to their size or design.



(1) Rubber band