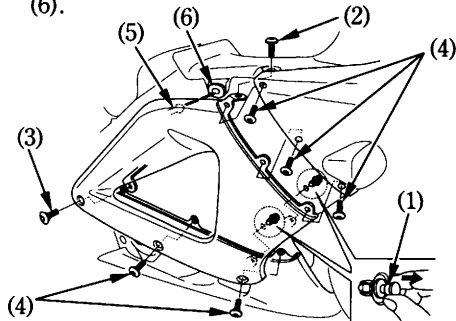


MIDDLE FAIRING

The right and left middle fairings can be removed in the same manner.

Removal:

1. Pull the tab (1).
2. Remove the bolt A (2).
3. Remove the bolt B (3), then remove the bolt C (4).
4. Pull out the hook (5) from the grommet (6).



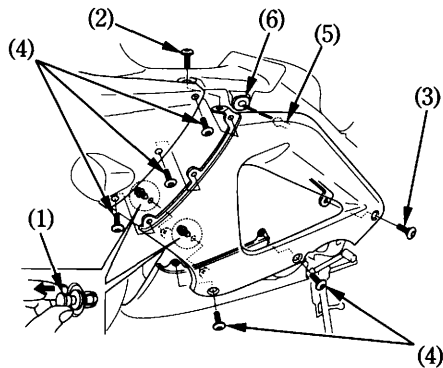
(1) Tab

(2) Bolt A

58

Installation:

- Installation can be done in the reverse order of removal.



(3) Bolts B

(4) Bolts C

(5) Hook

(6) Grommet