

NOTE:

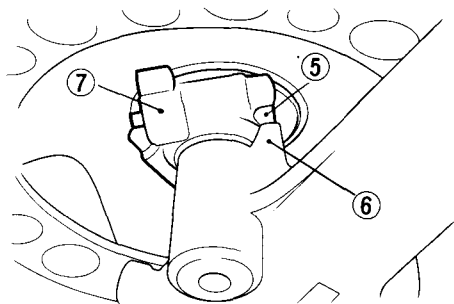
- * Do not depress the brake lever when the wheel is off the motorcycle. The caliper pistons will be forced out of the cylinders with subsequent loss of brake fluid. If this occurs, servicing of the brake system will be necessary. See your Honda dealer for this service.

Installation Notes:

Position the front wheel between the fork legs and insert the axle from the right side, through the right fork leg and wheel hub.

CAUTION:

- * When installing the wheel, fit the left brake disc carefully between the brake pads to avoid damaging the pads.



(5) Lug

(7) Gearbox

(6) Lug