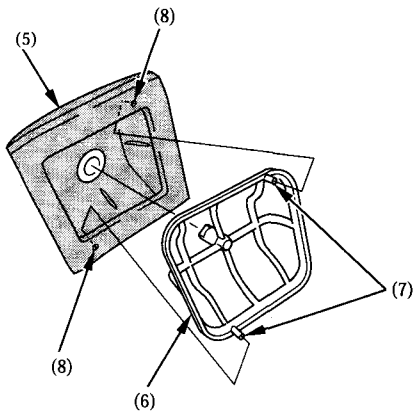


- Remove the air cleaner holder (6) from the air cleaner (5).
- Wash the air cleaner in clean, nonflammable or high flash point solvent and let it dry thoroughly.

Never use petrol or low flash point solvents for cleaning the air cleaner. A fire or explosion could result.

- Soak the air cleaner in gear oil (SAE 80 - 90) until saturated, then squeeze out the excess oil.
- Assemble the air cleaner and holder. Insert the tabs (7) in the air cleaner holes (8).



- |                        |           |
|------------------------|-----------|
| (5) Air cleaner        | (7) Tabs  |
| (6) Air cleaner holder | (8) Holes |