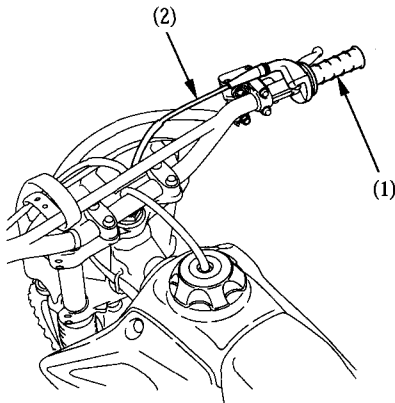


THROTTLE OPERATION

Refer to the Safety Precautions on page 44.

Cable Inspection:

1. Check for smooth rotation of the throttle grip from the fully open to the fully closed position at both full steering positions.
2. Inspect the condition of the throttle cables from the throttle grip down to the carburetor. If the cables are kinked, chafed or improperly routed, they should be replaced and/or rerouted.
3. Check the cables for tension or stress at all steering position. Lubricate the throttle cables with a commercially available cable lubricant to prevent premature wear and corrosion.



- (1) Throttle
(2) Throttle cables