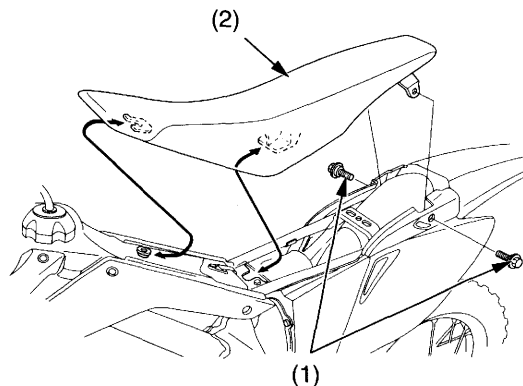


Refer to *Safety Precautions* on page 19.

Removal

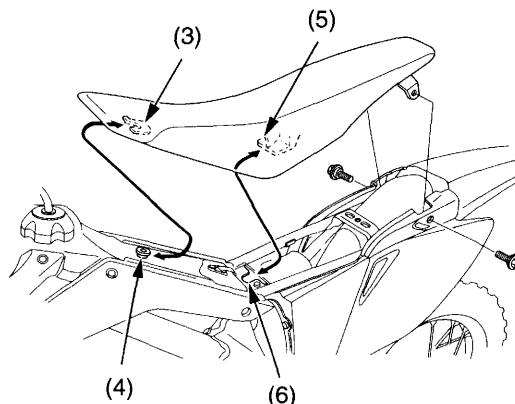
1. Remove the seat mounting bolts (1).
2. Remove the seat (2) by sliding it backward.



(1) seat mounting bolts (2) seat

Installation

1. Install the seat while aligning the front prong (3) with the seat bracket (4) and rear prong (5) with the tab (6) of the subframe.
2. Install and tighten the seat mounting bolts to the specified torque:
26 N·m (2.7 kgf·m, 19 lbf·ft)



(3) front prong
(4) seat bracket
(5) rear prong
(6) tab