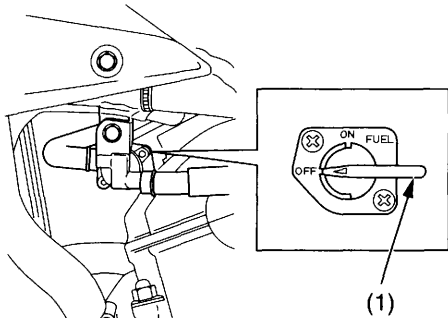


Fuel Tank Removal

Refer to *Safety Precautions* on page 19.

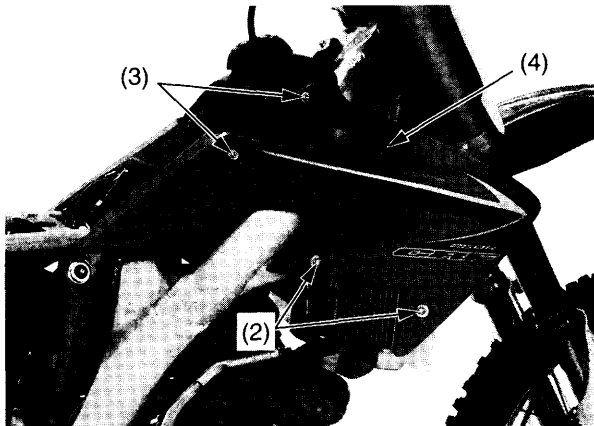
Removal

1. Turn the fuel valve (1) OFF.



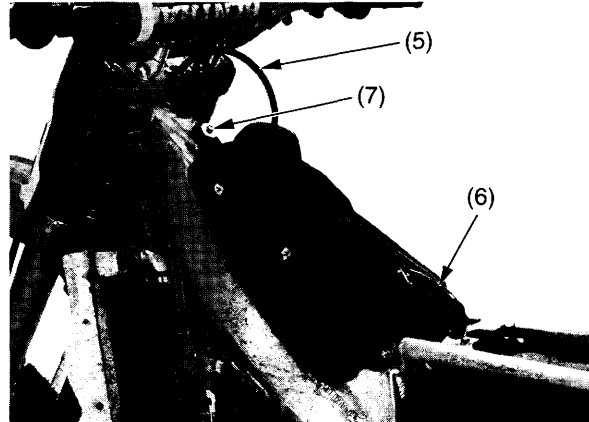
(1) fuel valve

2. Remove the seat (page 29).
3. Remove the shroud A bolts/collars (2).
4. Remove the shroud B bolts (3) and shrouds (4).



(2) shroud A bolts/collars
(3) shroud B bolts
(4) shroud

5. Pull the breather tube (5) out of steering stem nut.
6. Unhook the fuel tank band (6).
7. Remove the fuel tank bolt/collar (7).



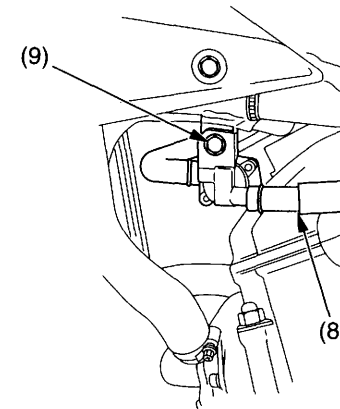
(5) breather tube
(6) fuel tank band
(7) fuel tank bolt/collar

8. Disconnect the fuel line (8) from the fuel valve. The fuel line leading to the carburetor must be disconnected, not the fuel line leading to the fuel tank.
9. Remove the fuel valve bolt (9) and fuel valve.
10. Remove the fuel tank.

⚠ WARNING

Petrol is highly flammable and explosive. You can be burned or seriously injured when handling fuel.

- Stop the engine and keep heat, sparks and flame away.
- Handle fuel only outdoors.
- Wipe up spills immediately.



(8) fuel line

(9) fuel valve bolt