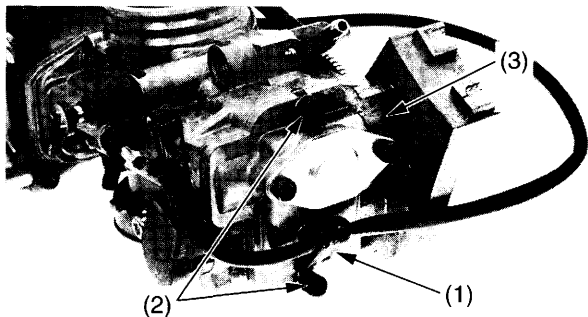


# Carburetor Adjustments & Tuning Tips

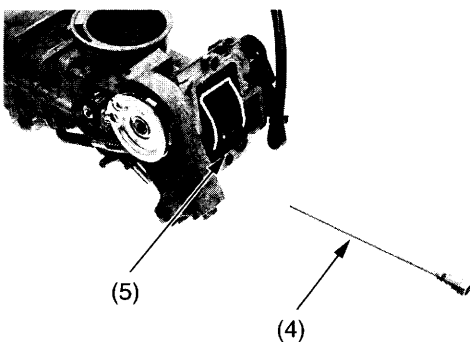
## Carburetor Disassembly/Assembly

1. Pull up the cable clamp (1) and remove the carburetor top bolts (2). Then remove the carburetor top (3).



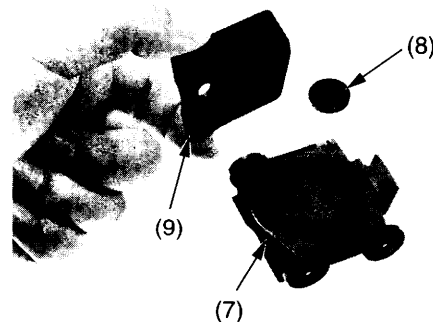
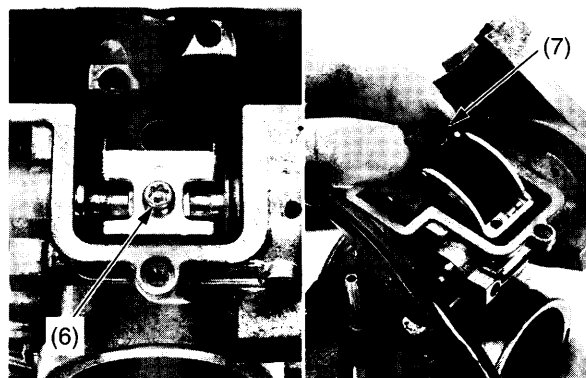
- (1) cable clamp
- (2) carburetor top bolts
- (3) carburetor top

2. Remove the jet needle/holder assembly (4) from the throttle valve (5).



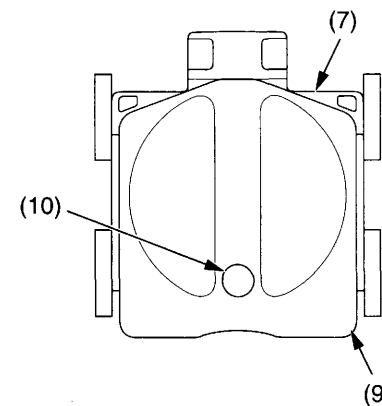
- (4) jet needle/holder assembly
- (5) throttle valve

3. Remove the link arm torx screw (6). When installing the link arm torx screw, apply a locking agent to the link arm torx screw threads.
4. Remove the throttle valve (7), throttle valve roller (8) and floating valve (9).



- (6) link arm torx screw
- (7) throttle valve
- (8) throttle valve roller
- (9) floating valve

When installing the floating valve (9) onto the throttle valve (7) make sure the floating valve's flat side faces out and the hole (10) faces down.



- (7) throttle valve
- (9) floating valve
- (10) hole