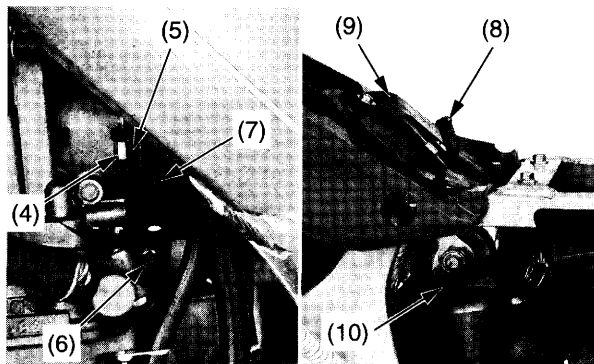
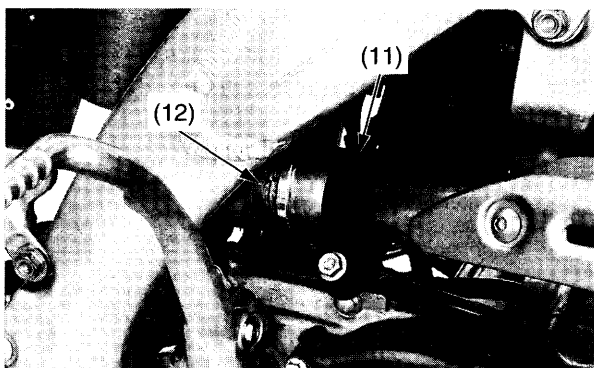


2. Make sure the carburetor lug (4) aligns with the air cleaner connecting tube slot (5).
3. Tighten the screw (6) on the air cleaner connecting tube clamp (7).
4. Install and hook the fuel tank band (8).
5. Hook the air cleaner case cover (9).
6. Connect the crankcase breather tube (10).



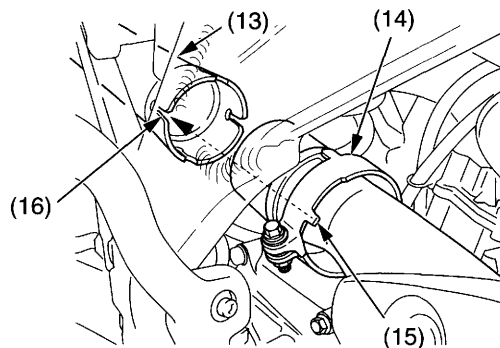
- (4) carburetor lug  
 (5) air cleaner connecting tube slot  
 (6) screw  
 (7) air cleaner connecting tube clamp  
 (8) fuel tank band  
 (9) air cleaner case cover  
 (10) crankcase breather tube

7. Remove the old gasket from exhaust pipe.
8. Install the muffler clamp (11) and a new gasket (12) to the exhaust pipe.



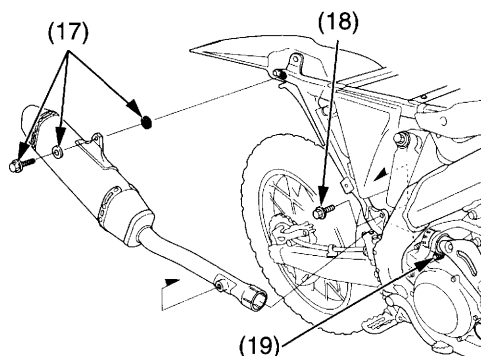
- (11) muffler clamp      (12) gasket (new)

9. Install the muffler (13).
10. Install the muffler clamp (14) by aligning the tab (15) of the muffler clamp with the cut-out (16) of the muffler.



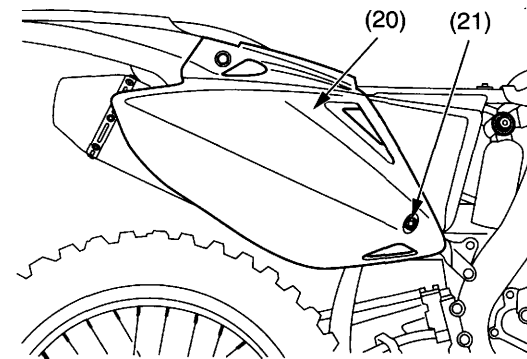
- (13) muffler                      (15) tab  
 (14) muffler clamp          (16) cut-out

11. Tighten the muffler mounting B bolt/washers (17) and muffler mounting A bolt (18) to the specified torque:  
 21 N·m (2.1 kgf·m, 15 lbf·ft)
12. Tighten the muffler clamp bolt (19) to the specified torque:  
 21 N·m (2.1 kgf·m, 15 lbf·ft)



- (17) muffler mounting B bolt/washers  
 (18) muffler mounting A bolt  
 (19) muffler clamp bolt

13. Install the side covers (20) and bolts (21).
14. Install the seat (page 29).



- (20) side cover  
 (21) bolt