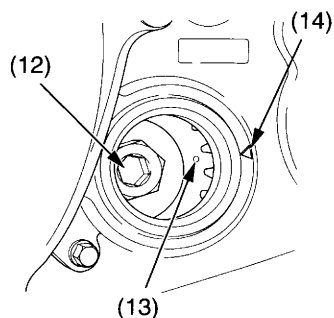


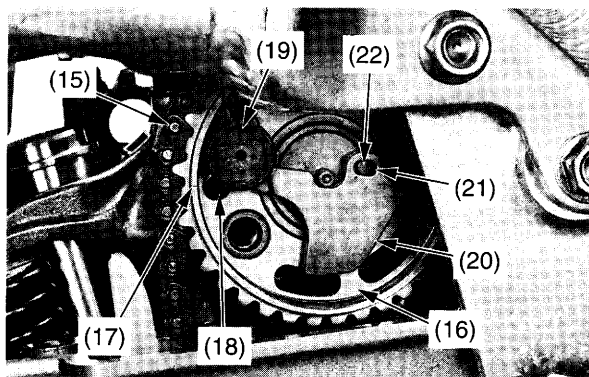
6. While holding the cam chain, rotate the primary drive gear bolt (12) (crankshaft) clockwise and align the punch mark (13) with the index mark (14).  
Make sure the piston is at TDC (Top Dead Centre) on the compression stroke.



- (12) primary drive gear bolt  
(13) punch mark  
(14) index mark

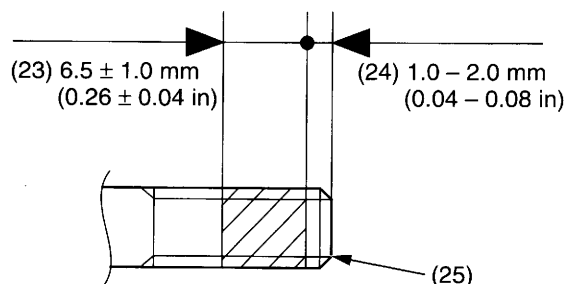
7. Install the cam chain (15) over the sprocket without rotating the sprocket.  
Place the cam sprocket (16) and align the timing mark (17) on the cam sprocket with the "Δ" mark (18) on the camshaft holder assembly.  
When installing the cam sprocket with decompressor weight pin (19) toward the front side.

8. Set the decompressor weight (20) by aligning its hole (21) with out side weight pin (22) as shown.



- (15) cam chain  
(16) cam sprocket  
(17) timing mark  
(18) "Δ" mark  
(19) decompressor weight pin  
(20) decompressor weight  
(21) hole  
(22) out side weight pin

9. Clean and apply a locking agent to the cam sprocket bolt (25) threads (coating width as shown).



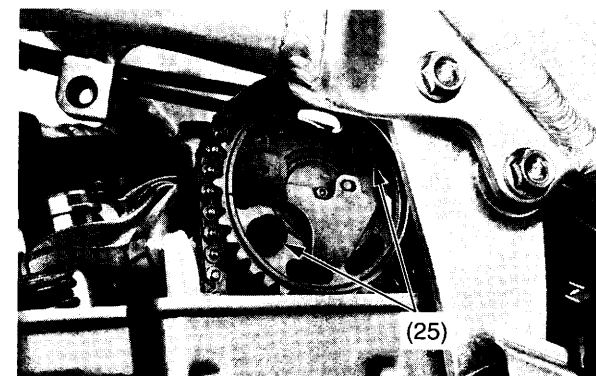
- (23) coating width  
(24) no coating width  
(25) cam sprocket bolt

10. Temporarily install the cam sprocket bolt (25) by aligning the bolt holes of the cam sprocket and camshaft.  
Rotate the primary drive gear bolt (crankshaft) clockwise one turn and tighten the sprocket bolt to the specified torque:  
20 N·m (2.0 kgf·m, 15 lbf·ft)

Rotate the primary drive gear bolt (crankshaft) clockwise one turn again and tighten the other sprocket bolt to the specified torque (see above).

### NOTICE

*Do not let the bolts fall into the crankcase.*



(25) cam sprocket bolts

(cont'd)